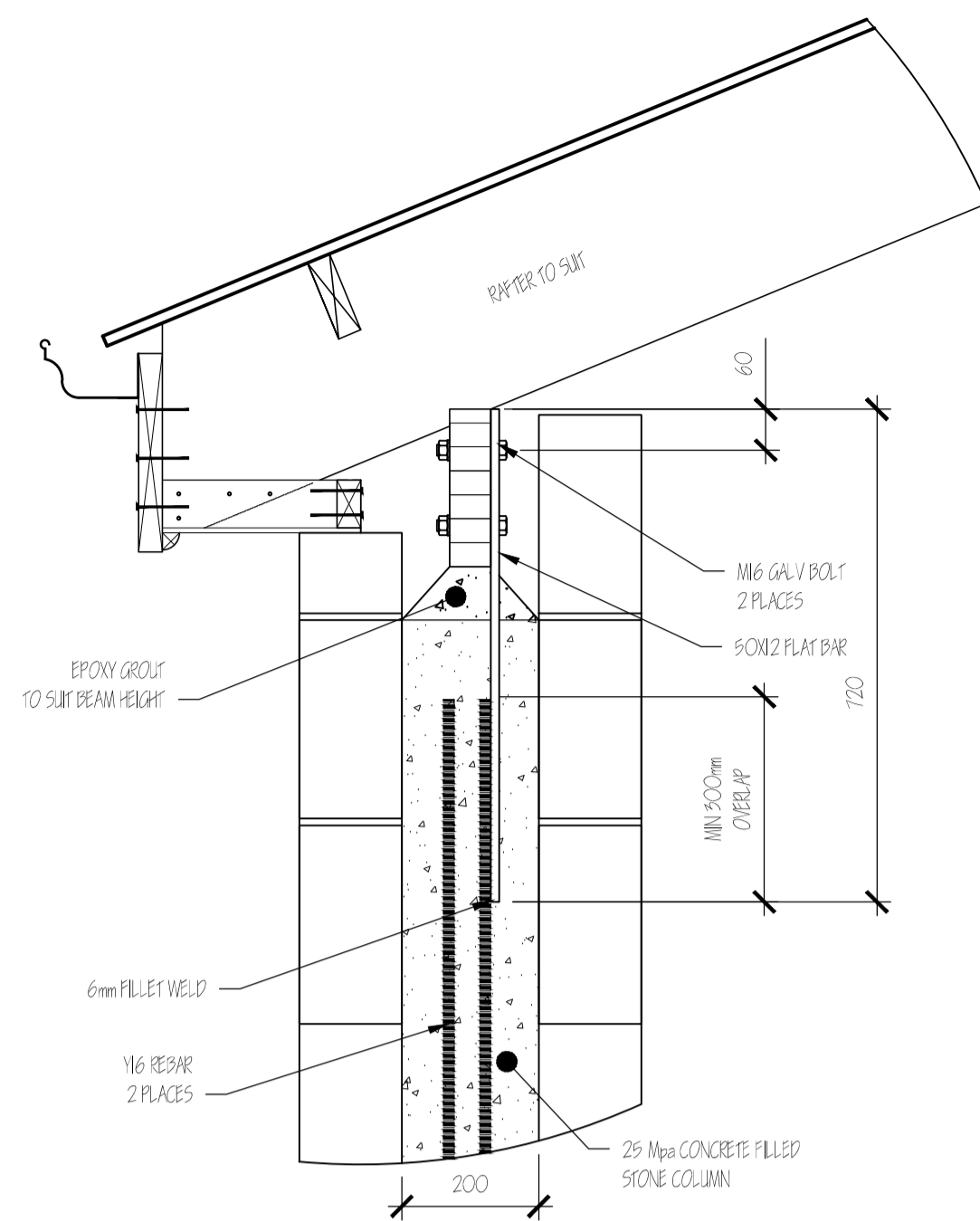
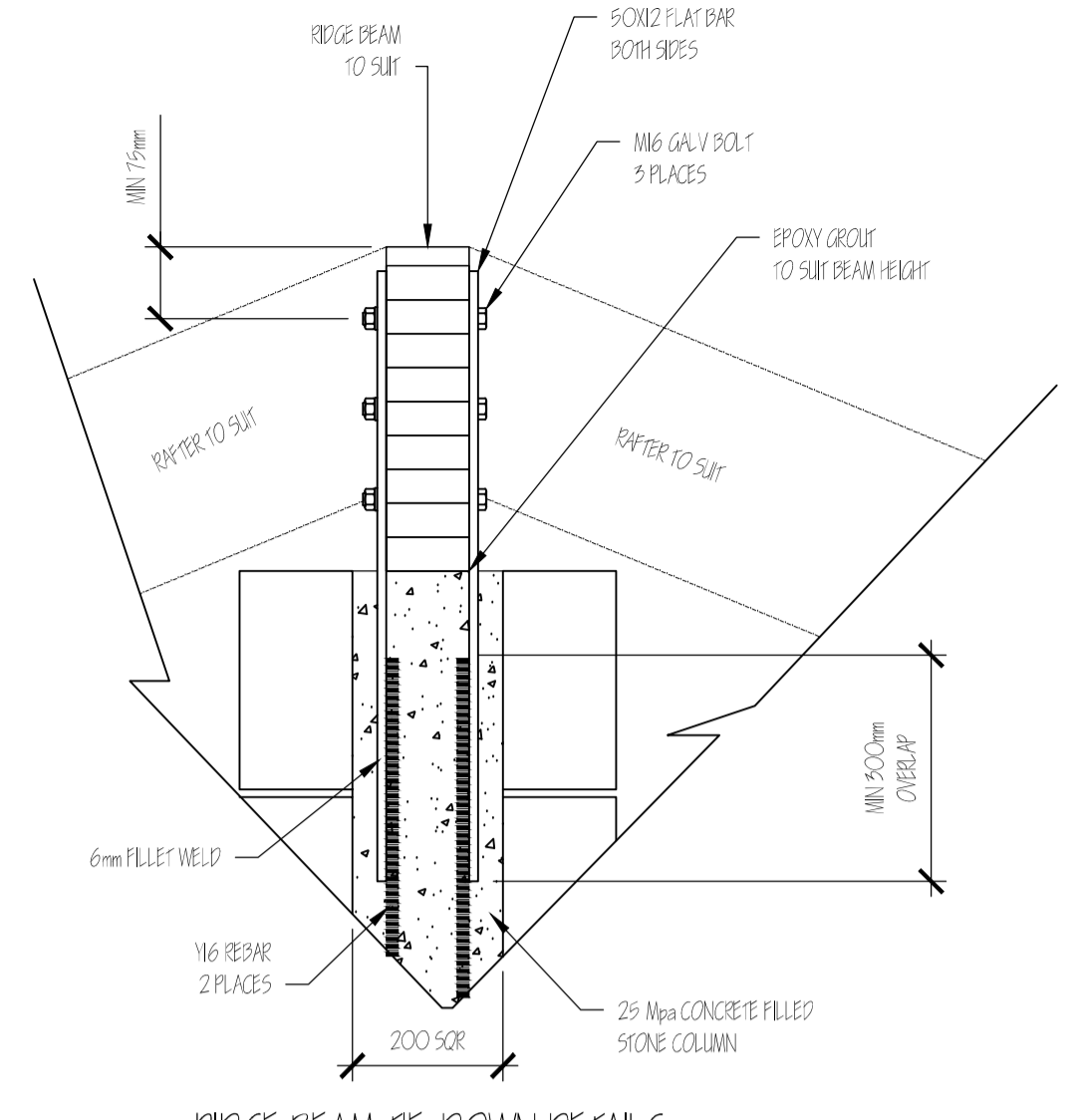


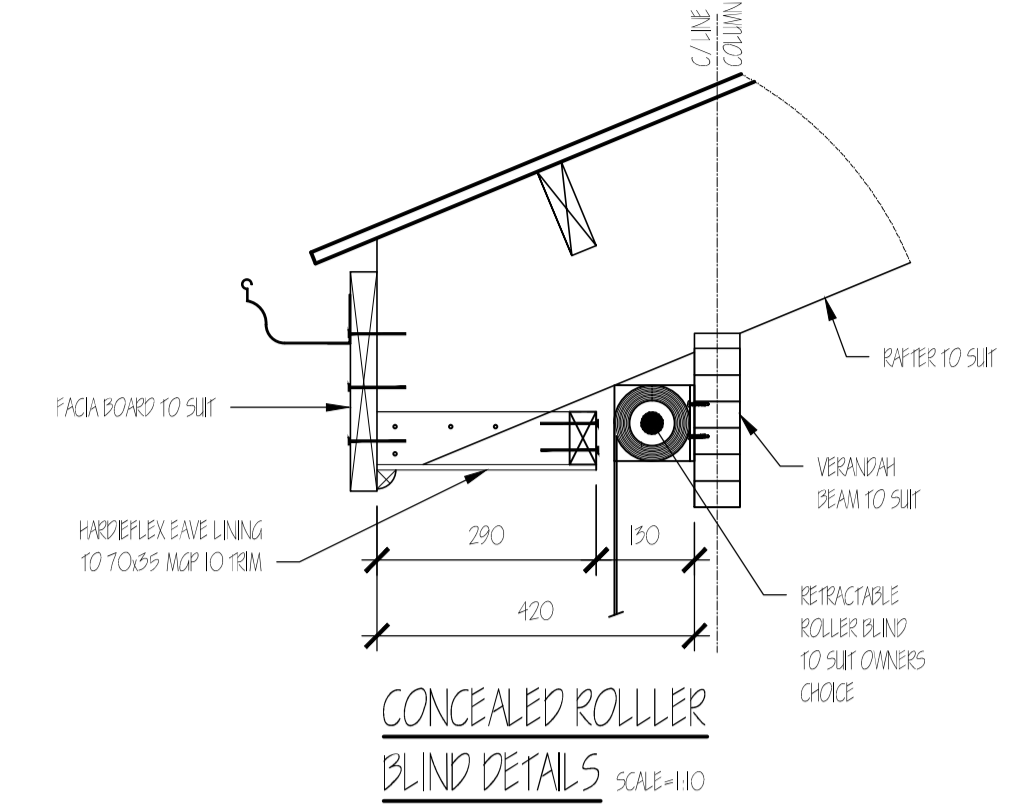
NOTE
 THIS DRAWING IS THE PROPERTY OF
 DESIGNS BY SOLLY PTY LTD.
 REPRODUCTION OR COMMUNICATION OF ANY CONTENT WITHOUT WRITTEN
 CONSENT IS PROHIBITED.
 ALL DIMENSIONS AND LEVELS TO BE VERIFIED BEFORE PROCEEDING WITH
 WORKS. THE DRAWING TO BE READ IN CONJUNCTION WITH ALL RELEVANT
 DRAWINGS, SPECIFICATIONS & DOCUMENTS.
 DESIGNS BY SOLLY ACCEPTS NO RESPONSIBILITY FOR ERRORS OR OMISSIONS. ANY
 PRECEDENCES/ALTERATIONS TO BE REPORTED IMMEDIATELY TO DRAFTER/PERSON



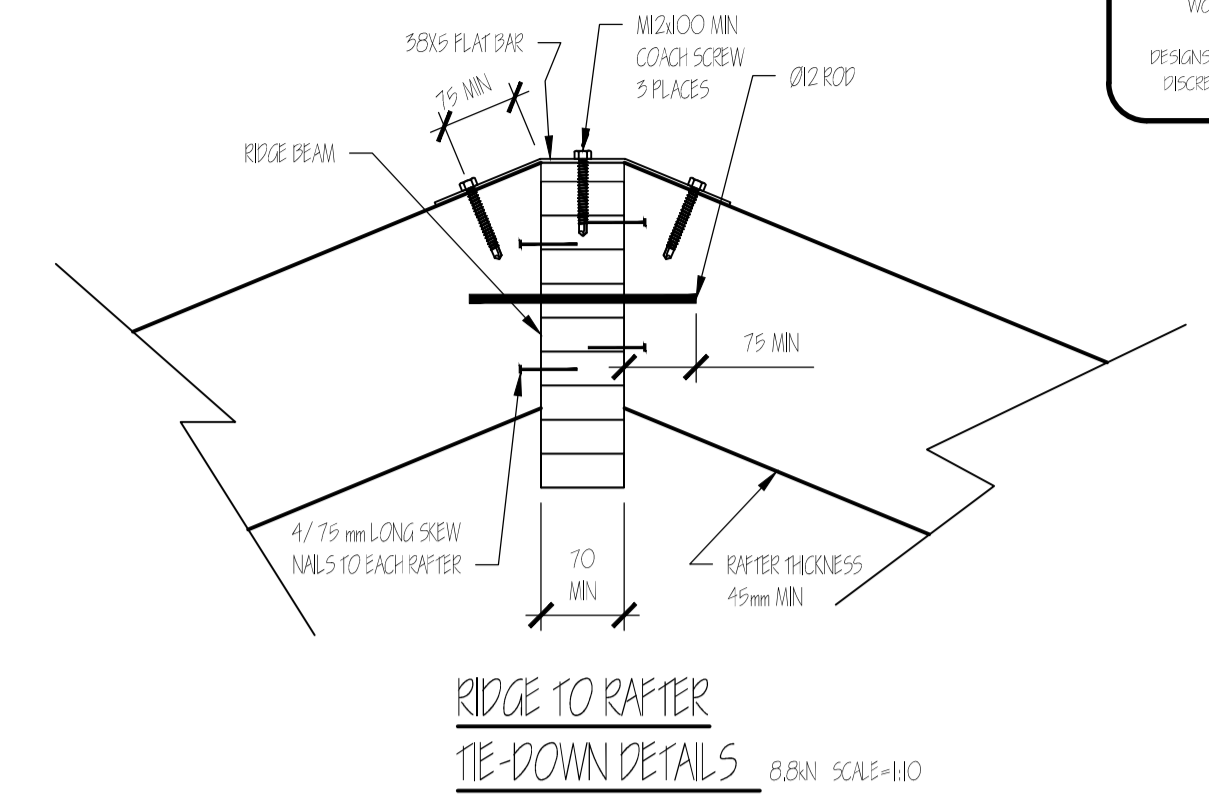
DETAIL-VB A SCALE 1:10



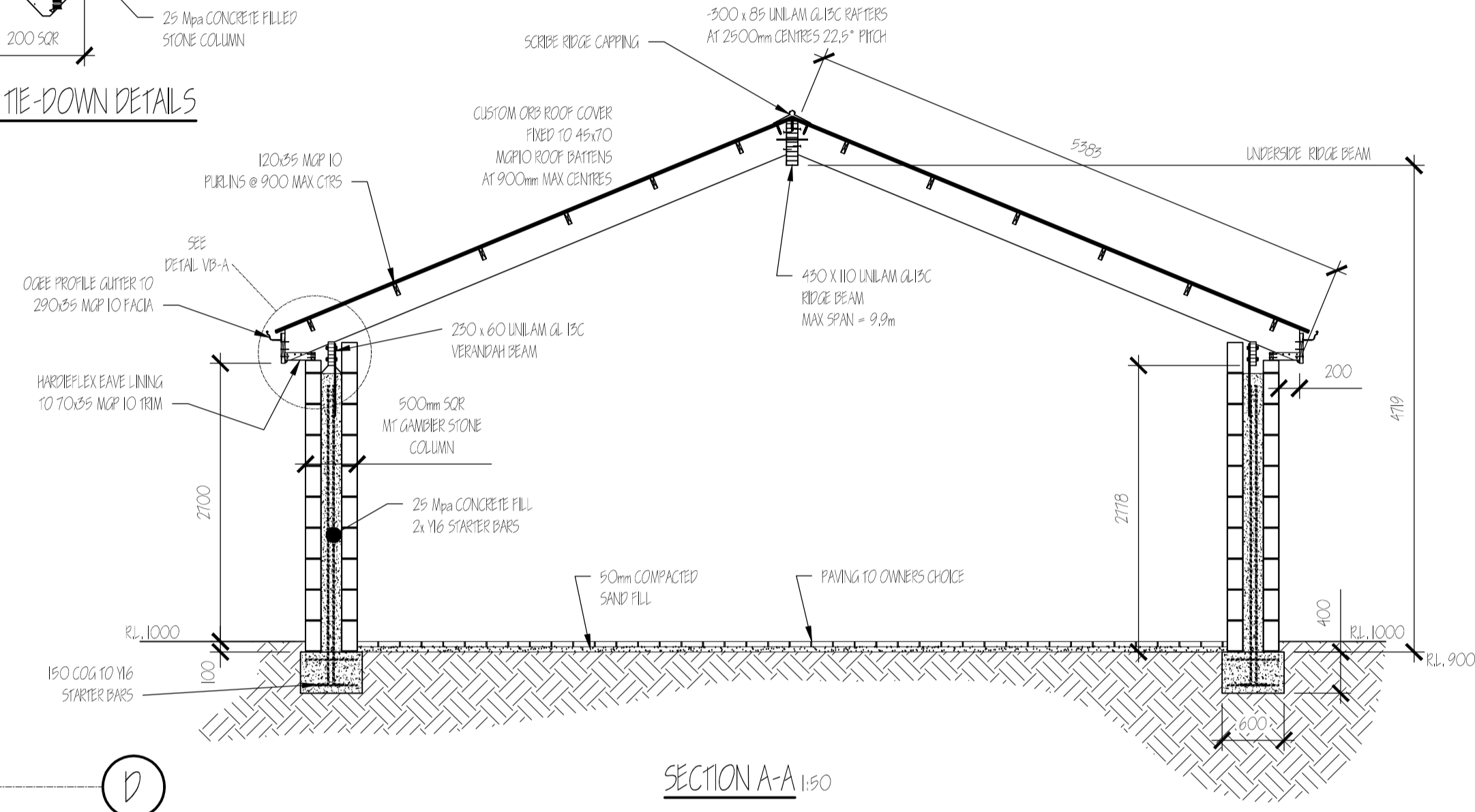
RIDGE BEAM TIE-DOWN DETAILS SCALE 1:10



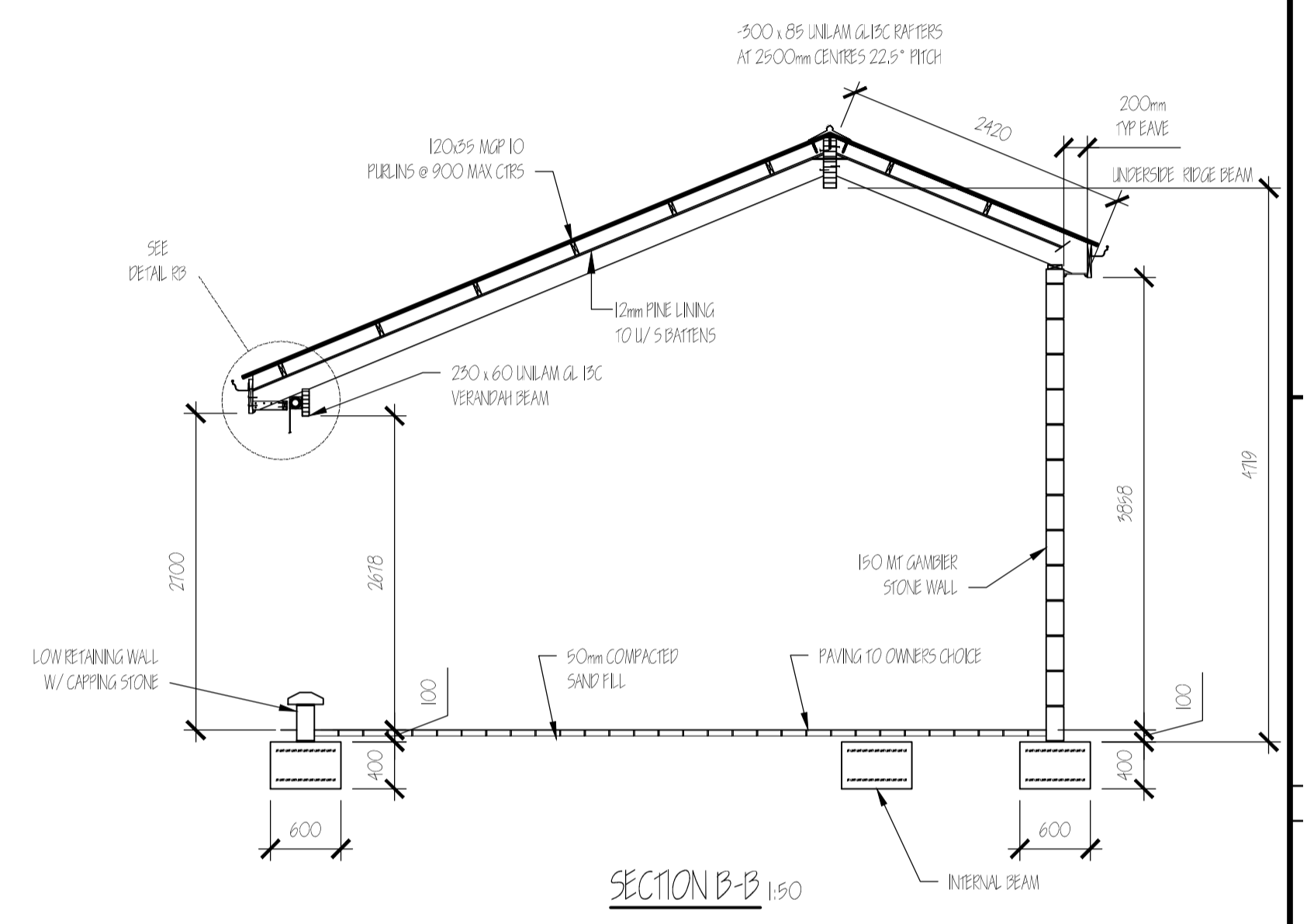
CONCEALED ROLLER BLIND DETAILS SCALE 1:10



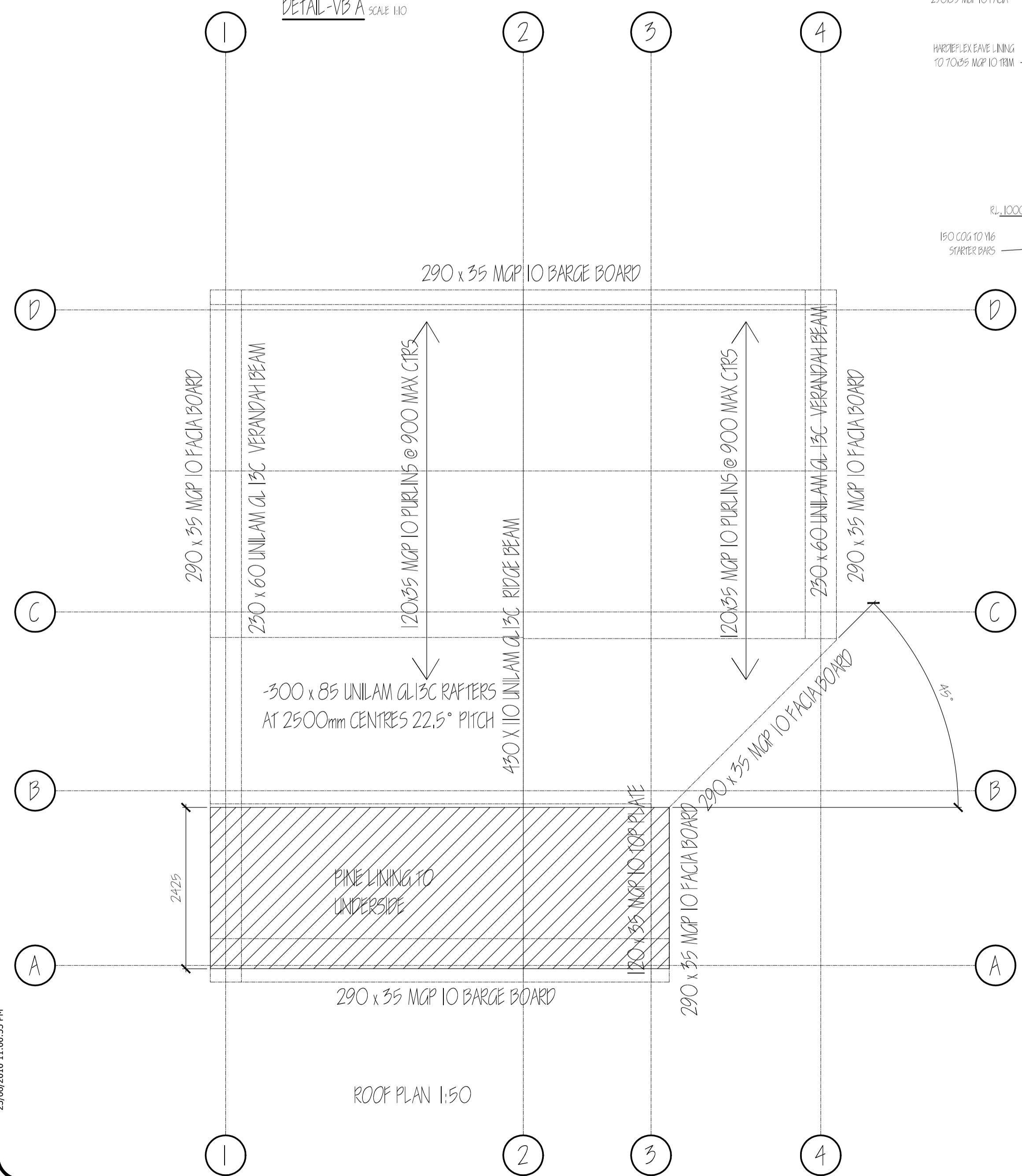
RIDGE TO RAFTER TIE-DOWN DETAILS SCALE 1:10



SECTION A-A 1:50



SECTION B-B 1:50



ROOF PLAN 1:50

NO.	DATE	REVISION DETAILS	PRN.

Designs
 By Solly Pty Ltd
 13 Neville Avenue
 Mount Gambier
 S.A. 5290
 Phone: (08) 87249521
 Fax: (08) 87249521
 EMAIL: designsbysolly@primus.com.au

TITLE
PROPOSED ENTERTAINING AREA
 MT GAMBIER

DRAWN	DATE	CHECKED	APPD.	SCALE	SHEET SIZE	DRAWING No.	REV
J.SOLLY	26/02/07			AS SHOWN	AI	052-002-07	

DO NOT SCALE FROM DRAWING